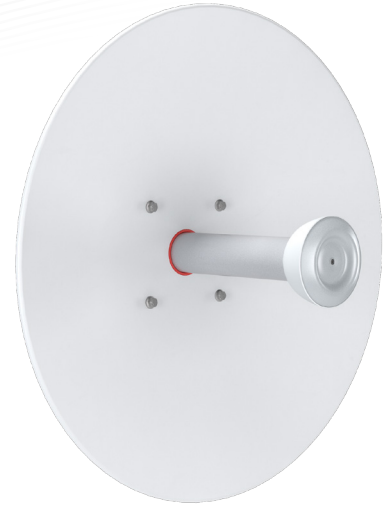


StarterDish™ 27 UM

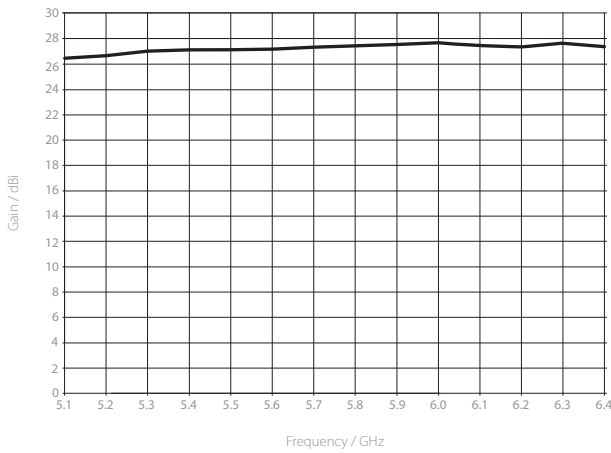
DIRECTIONAL PARABOLIC DISH ANTENNA

StarterDish™ antennas are designed for CPE applications. Antenna is light weight with their reflector made of steel. StarterDish™ antennas provide excellent beam performance in cost effective package. Antennas are easy to assemble and come in highly economical 5 packs.

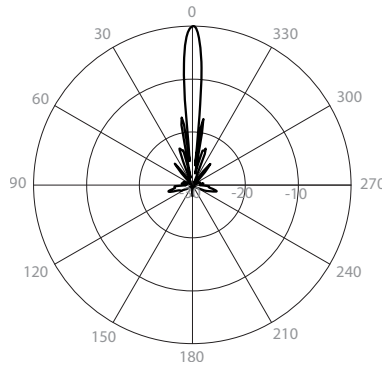
Warning: harsh environment (coastal areas, chimney gases, chemical factories, volcanos) may cause premature oxidation of the StarterDish™ antenna body. For deployments in harsh environment we recommend using UltraDish™ antennas.



Gain H

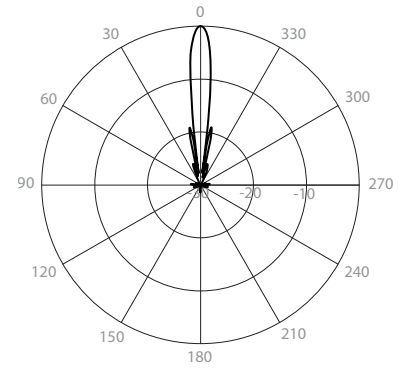


Azimuth Pattern H



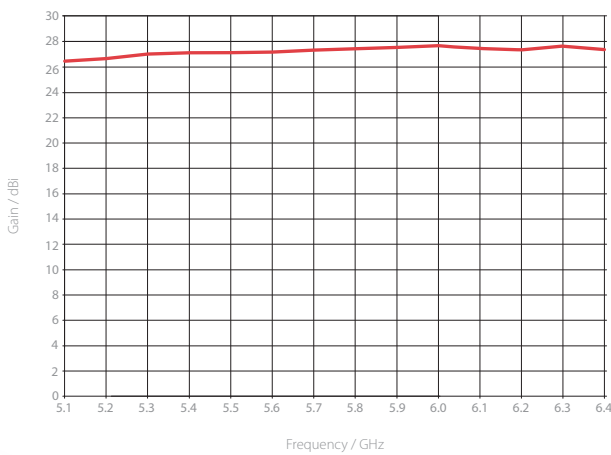
H - Port Pattern Azimuth 5.6 GHz

Elevation Pattern H

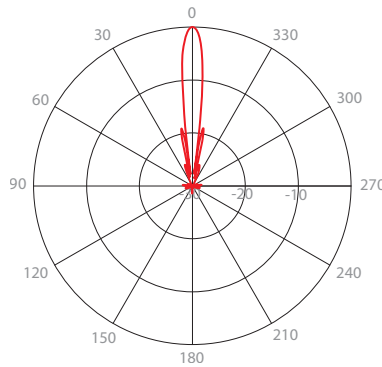


H - Port Pattern Elevation 5.6 GHz

Gain V

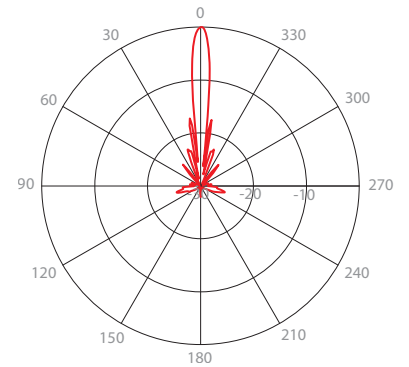


Azimuth Pattern V



V - Port Pattern Azimuth 5.6 GHz

Elevation Pattern V



V - Port Pattern Elevation 5.6 GHz

PHYSICAL

Antenna Connection	Waveguide Port
Antenna Type	Parabolic Dish
Materials	UV Resistant ABS Plastic, Aluminium, Steel, Zinc Plated Steel & Stainless Steel Hardware
Environmental	IP65
Pole Mounting Diameter	20-55 mm (0.8-2.1 inch) Recommended as close to 55 mm (2.1 inch) as possible
Temperature	-35°C to +55°C (-31°F to +131°F)
Wind Survival	160 km/h (100 mi/h)
Wind Load	275/28 N - Front/Side at 160 km/h (100 mi/h)
Effective Projected Area	2254/231 cm ² - Front/Side (349.4/35.8 in ²)
Mechanical Adjustment	± 15° Elevation
Weight	2.5 kg (5.5 lbs) – single unit 16 kg (35.2 lbs) – 5PACK (5 units) incl. package
Dimensions	Retail Box 5PACK: 867 x 620 x 112 mm (34.1 x 24.4 x 4.4 inch)

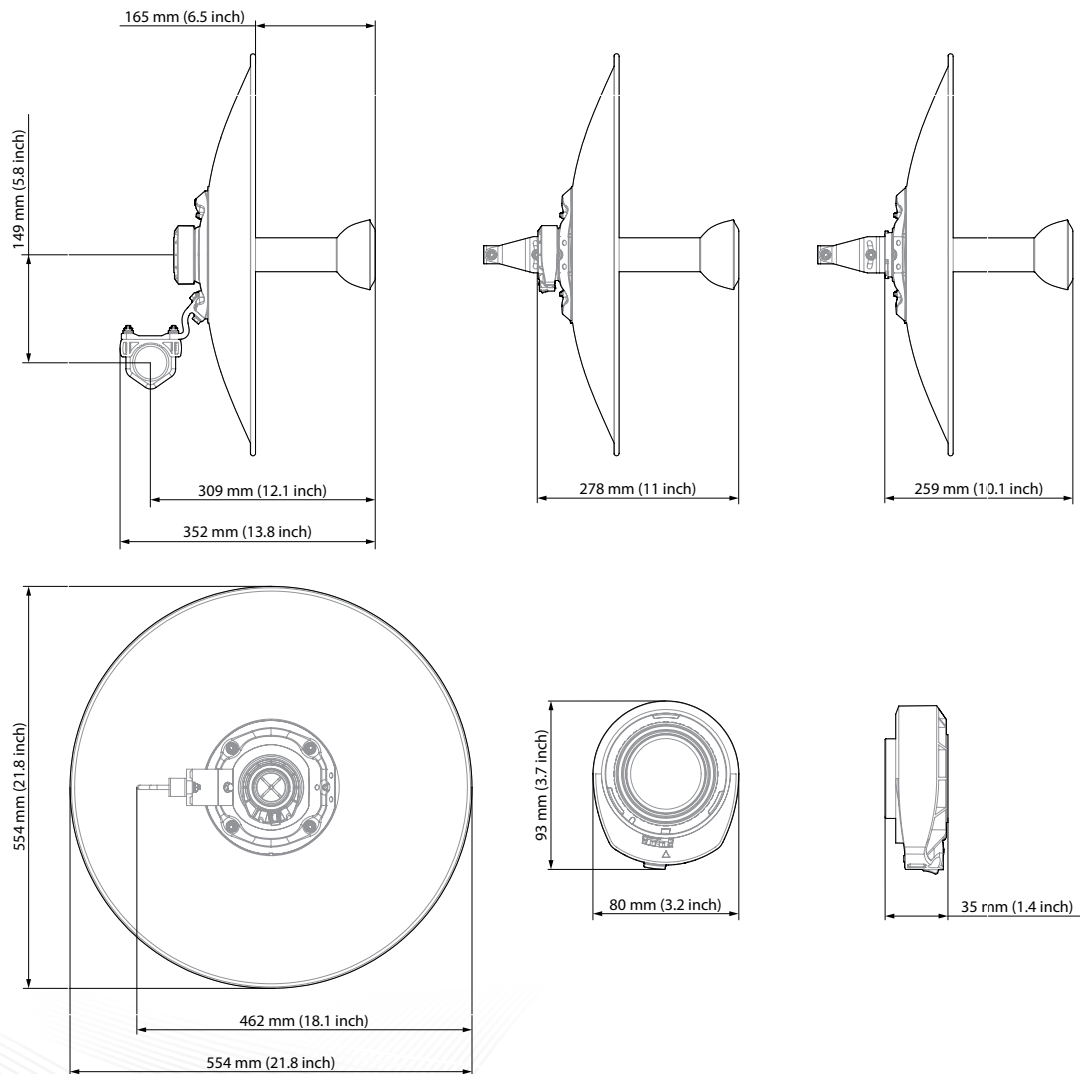
PERFORMANCE

Gain	27 dBi
Frequency Range	5150 - 6400 MHz*
Azimuth Beam Width -6 dB	H 8° / V 8°
Elevation Beam Width -6 dB	H 8° / V 8°
Azimuth Beam Width -3 dB	H 6° / V 6°
Elevation Beam Width -3 dB	H 6° / V 6°
Beam Efficiency**	42%
Front-to-Back Ratio (Min)	33 dB

COMPATIBLE WIRELESS PLATFORMS

RF elements®	StarterAdapter™ SMA
Mimosa® by Airspan	C5x
Ubiquiti Networks®	PrismStation™ 5AC, IsoStation™ 5AC, IsoStation™ M5

PRODUCT DIMENSIONS



* We strongly recommend that users do not operate radios outside of the specified frequency range. **Main beam defined up to first null



This product was produced under the conditions of a certified management system that meets the requirements of the ISO 9001, ISO 14001 and ISO 45001 standard, while this system was certified by QSCert.