

UltraDish™ TP 27

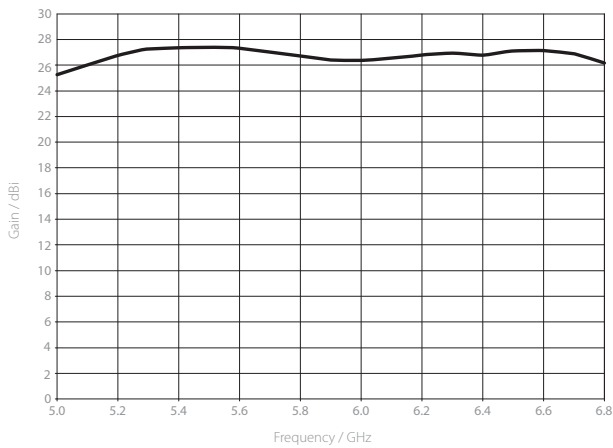
PARABOLIC DISH ANTENNA WITH TWISTPORT™ CONNECTOR

UltraDish™ TP 27 is designed for subscriber module applications. Minimized sidelobes, wide frequency bandwidth, and stable gain in both polarizations assure dependable performance. Antenna reflector is made of aluminium to ensure a low weight and uniform shape. Our proprietary TwistPort™ waveguide connector enables intuitive radio connection and replacement.

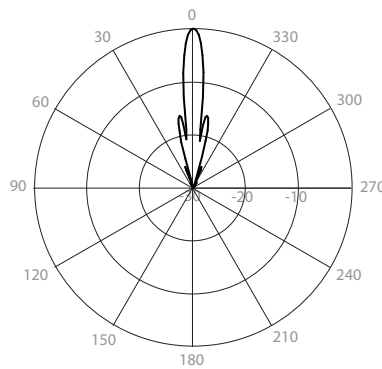
Massive mount with improved grip and a wide range of applicable pole diameters makes the deployment easy and versatile. Stainless hardware comes with black coating to prevent from seizing at the installation.



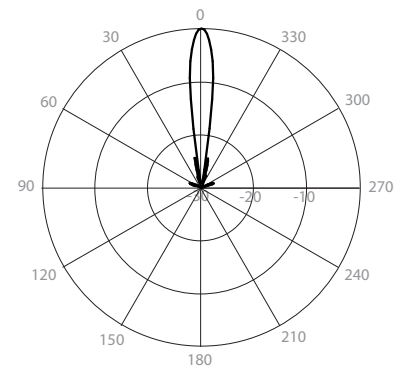
Gain H



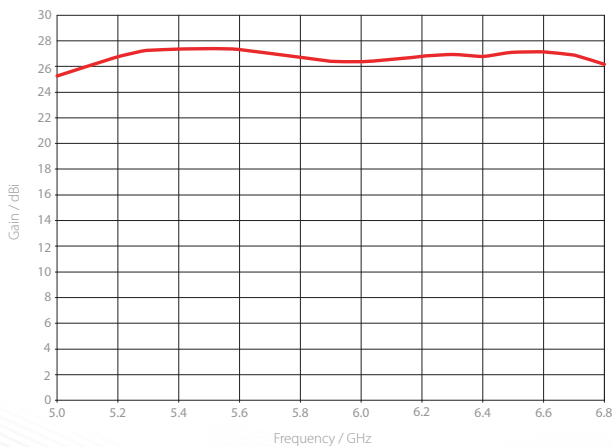
Azimuth Pattern H



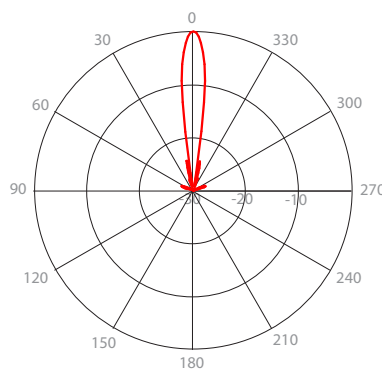
Elevation Pattern H



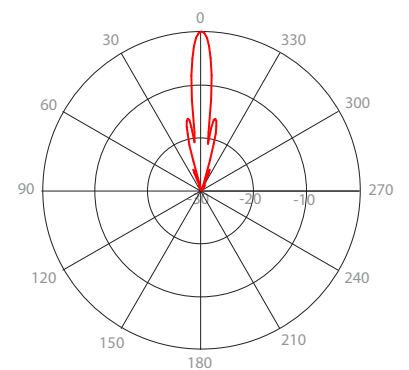
Gain V



Azimuth Pattern V



Elevation Pattern V



PHYSICAL

Antenna Connection	TwistPort™ - Quick Locking Waveguide Port
Antenna Type	Parabolic Dish
Materials	UV Resistant ABS Plastic, Polycarbonate, Aluminium, Stainless Steel
Environmental	IP65
Pole Mounting Diameter	40-80 mm (1.5-3.1 inch) Recommended as close to 80 mm (3.1 inch) as possible
Temperature	-40 °C to +60 °C (-40°F to +140°F)
Wind Survival	160 km/h (100 mi/h)
Wind Load	351/30 N - Front/Side at 160 km/h (100 mi/h)
Effective Projected Area	2878/246 cm ² - Front/Side (446.1/38.1 inch ²)
Weight	3.7 Kg (8 lbs) – single unit (one antenna) 10.6 Kg (23 lbs) – 2PACK (2 units) incl. package
Dimensions	Retail Box 2PACK: 630 x 620 x 165 mm (24.8 x 24.4 x 6.5 inch)

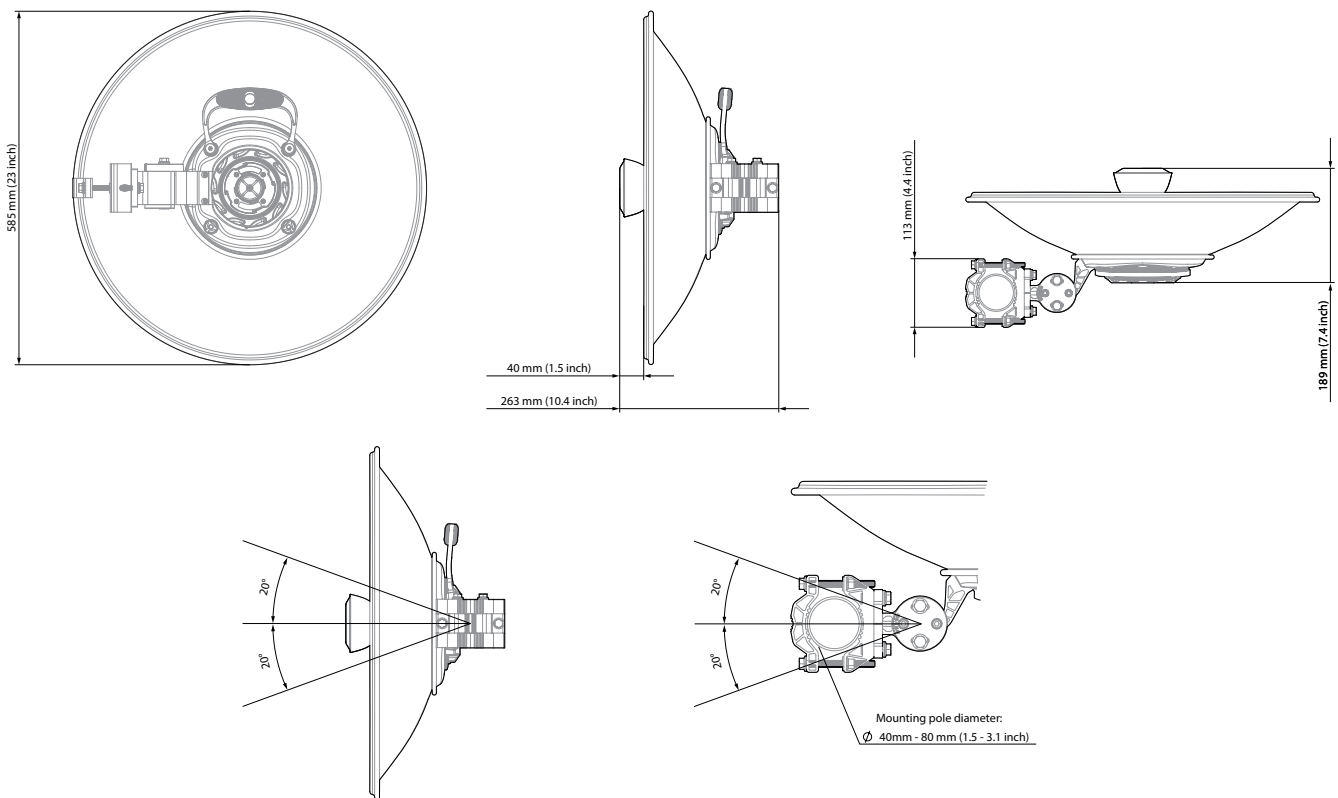
PERFORMANCE

Gain	27.5 dBi
Frequency Range	5180 - 6775 MHz *
Azimuth Beam Width -6 dB	H 10° / V 9°
Elevation Beam Width -6 dB	H 9° / V 10°
Azimuth Beam Width -3 dB	H 7° / V 6°
Elevation Beam Width -3 dB	H 6° / V 7°
Beam Efficiency**	61%
Front-to-Back Ratio (Min)	37 dB

COMPATIBLE WIRELESS PLATFORMS

any TwistPort™ Adaptor

PRODUCT DIMENSIONS



* We strongly recommend that users do not operate radios outside of the specified frequency range
 **Beam efficiency defined up to first null

