

30° Asymmetrical Beam Antenna

HORN ANTENNA WITH TWISTPORT™ CONNECTOR

30° Asymmetrical Horn TP Antenna combines the best of both worlds - high gain of a traditional sector antenna and zero side lobes of a horn. Its radiation pattern is wide in azimuthal and narrow in elevation plane, greatly improving coverage planning options. 30° Asymmetrical Horn TP Antenna exceeds the traditional patch sector antenna thanks to high stability of gain and radiation pattern in the whole band of operation. Outstanding noise rejection and precision of radiation pattern favors 30° Asymmetrical Horn TP antenna for high-density AP clusters, in highly populated areas and dense co-location sites.

30° Asymmetrical Horn TP Antenna features our revolutionary TwistPort™ connector - a patent-pending twist-and-lock waveguide port. HG3-TP-A20-30 supports a wide range of third party mainstream radios with our TPA TwistPort™ Adaptor. BeamSwitch™ feature enables mounting the antenna with 90 degrees rotation by swapping the position of the handle and the bracket. HG3-TP-A20-30 can thus provide 20 degrees azimuth and 30 degrees elevation beam width.



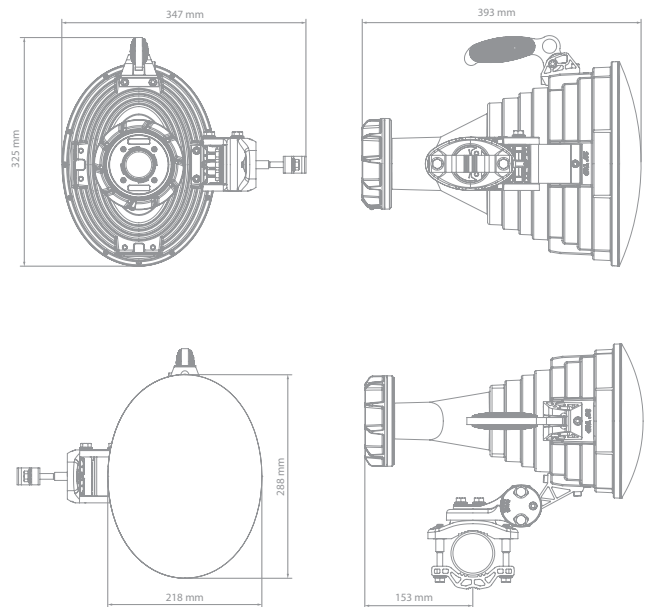
TECHNICAL DATA

| | |
|------------------------|---|
| Antenna Connection | TwistPort™ - Quick Locking Waveguide Port |
| Antenna Type | Horn |
| Materials | UV Resistant ABS Plastic, Polycarbonate, HDPE, Aluminium, Stainless Steel |
| Environmental | IP55 |
| Pole Mounting Diameter | 36-80 mm (we recommend as close to 80mm as possible) |
| Temperature | -35°C to +55°C (-31°F to +131°F) |
| Wind Survival | 160 km/hour |
| Wind Loading | 67 N at 160km/h |
| Mechanical Adjustment | ± 25° Elevation, ± 20° Azimuth |
| Weight | 4.2 Kg / 9.2 lbs – single unit* 6.3 Kg / 13.8 lbs – single unit incl. package* |
| Single Unit | Retail Box: 435 x 360 x 250 mm / 17.1 x 14.1 x 9.8 inch* |

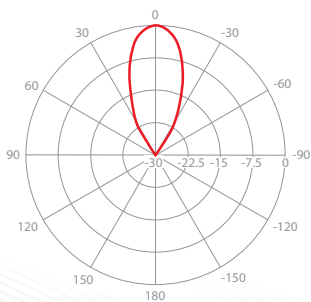
PERFORMANCE

| | |
|----------------------------|-----------------|
| Frequency Range | 5180 - 6000 MHz |
| Gain | 20.5 dBi |
| Azimuth Beam Width -3 dB | H 21° / V 21° |
| Elevation Beam Width -3 dB | H 15° / V 15° |
| Azimuth Beam Width -6 dB | H 30° / V 30° |
| Elevation Beam Width -6 dB | H 20° / V 20° |
| Beam Efficiency** | 95% |
| Front-to-Back Ratio | 35 dB |

PRODUCT DIMENSIONS

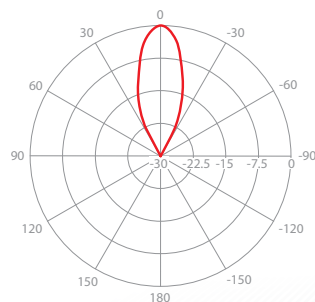


AZIMUTH PATTERN



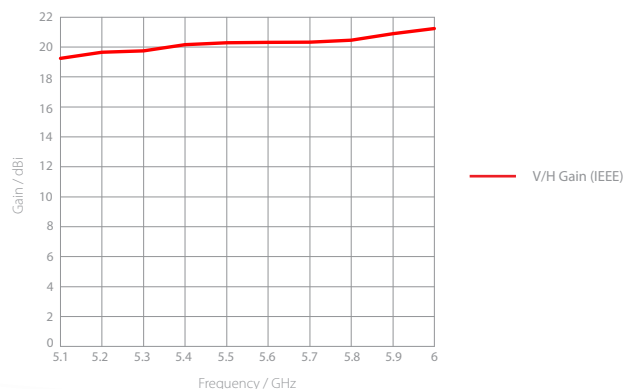
V/H - Port Pattern Azimuth 5.6 GHz

ELEVATION PATTERN



V/H - Port Pattern Elevation 5.6 GHz

GAIN



*Subject to change **Beam efficiency defined up to first null