

PV 2:1 M+F Adapter Kit

Features

- Combine Two Connections to One
- Rated for up to 1000VDC @ 30A
- IP67 Weatherproof Rating

Applications

- Remote Power Systems
- Solar Power Applications

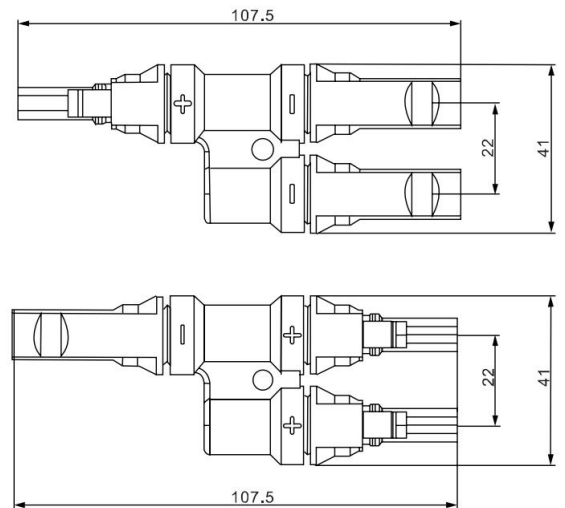
Description

The Tycon Solar® MC4-2-1-Kit is an industry standard PV connector adapter kit. It is used to combine the outputs of two panels into one cable. There are two adapters in each kit, one with Male output and one with female output. The IP67 UV Protected weatherproof connectors are designed for outdoor use in harsh environments.



Specifications

Connector System (Pin)	4mm ²
Rated Voltage	1000 VDC
Rated Solar Current	30A Max
Test Voltage	6KV (50hz, 1min)
Contact Resistance	<0.5 mΩ
Contact Material	Copper, Tin Plated
Insulation Material	PPO
Flammability Rating	UL-94-V0
Environmental Protection	IP67
Salt Spray	IEC 60068-2-52
Certifications	CE (EN50521:2008), RoHS, CB
Safety Class	II
Operating Temp	-40°C to 75°C (-40°F to 167°F)
Max Temperature	105°C (221°F)
Insertion Force	≤90 N
Withdrawal Force	≥310 N
Dimensions	107.5mm x 41mm (4.2 x 1.6")
Weight	80g (0.18lb)
Warranty	3 years



System Ordering:

MC4-2-1-KIT PV 2:1 Male + Female Adapter Kit

For further information contact: Tyconsystems.com



930 W 14600 S Ste 600
Bluffdale, UT 84065
PH: 801-432-0003
FAX: 801-618-4220