



# MC4-3-1-KIT

## DATA SHEET

### PV 3:1 M+F Adapter Kit

#### Features

- Combine Three Connections to One
- Rated for up to 1000VDC @ 30A
- IP67 Weatherproof Rating

#### Applications

- Remote Power Systems
- Solar Power Applications

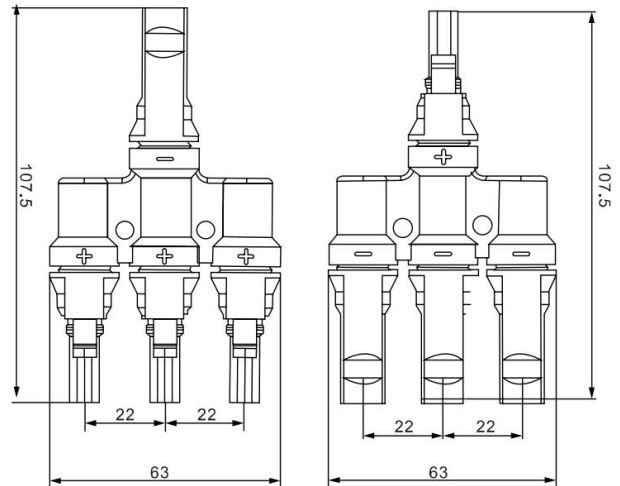


#### Description

The Tycon Solar® MC4-3-1-Kit is an industry standard PV connector adapter kit. It is used to combine the outputs of three panels into one cable. There are two adapters in each kit, one with Male output and one with female output. The IP67 UV Protected weatherproof connectors are designed for outdoor use in harsh environments.

#### Specifications

<b>Connector System (Pin)</b>	4mm <sup>2</sup>
<b>Rated Voltage</b>	1000 VDC
<b>Rated Solar Current</b>	30A Max
<b>Test Voltage</b>	6KV (50hz, 1min)
<b>Contact Resistance</b>	<0.5 mΩ
<b>Contact Material</b>	Copper, Tin Plated
<b>Insulation Material</b>	PPO
<b>Flammability Rating</b>	UL-94-V0
<b>Environmental Protection</b>	IP67
<b>Salt Spray</b>	IEC 60068-2-52
<b>Certifications</b>	CE (EN50521:2008), RoHS, CB
<b>Safety Class</b>	II
<b>Operating Temp</b>	-40°C to 75°C (-40°F to 167°F)
<b>Max Temperature</b>	105°C (221°F)
<b>Insertion Force</b>	≤90 N
<b>Withdrawal Force</b>	≥310 N
<b>Dimensions</b>	107.5mm x 63mm (4.2 x 2.5")
<b>Weight</b>	120g (0.26lb)
<b>Warranty</b>	3 years



#### System Ordering:

MC4-3-1-KIT PV 3:1 Male + Female Adapter Kit

For further information contact: [Tyconsystems.com](http://Tyconsystems.com)



930 W 14600 S Ste 600  
Bluffdale, UT 84065  
PH: 801-432-0003  
FAX: 801-618-4220