

PRODUCT DATA SHEET

SOHO Cabinet

Standard

- Comply with ANSI/EIA RS-310-D, IEC60297-2, DIN41494, PART1; DIN41494, PART7

Material

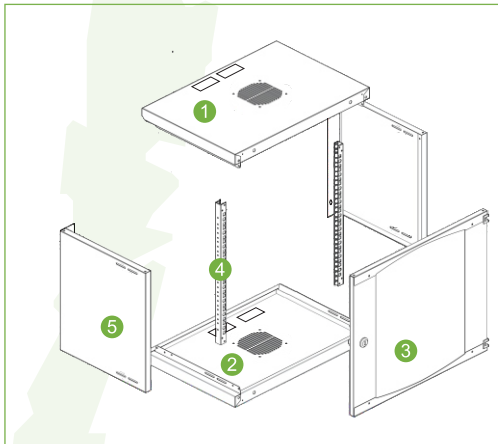
- SPCC Cold Rolled Steel:
- Thickness: 19" rails: 1.2mm, others: 1.0mm

Color

- RAL7035
- RAL9004

Loading Capacity

- Static loading: Up to 60 KG



Feature

- Disassembled and small packaging, easy to deliver and carry.
- Special design front and back frames are with good stability.
- 16 screws are needed to assemble the whole enclosure. It will take only 3 minutes to assemble the enclosure by one person. Wide glass front door allows and excellent view of the interior of the cabinet. Opening direction could be changed easily. Cable entries are available on top, bottom and back of enclosure, suitable for different places. Maximum Loading capacity: 60kgs.

Definition of Code

NTSOHO ■ U500
 └─ Cabinet capacity(U): 6, 9, 12



Main Part

S/N	Specification	Qty	Material	Surface Finish	Remark
1	Top Cover	1	SPCC t1.0	Powder coated	----
2	Bottom Plate	1	SPCC t1.0	Powder coated	----
3	Front door	1	5MM toughed glass door/ SPCC t1.0	----	Small lock
4	19" rails	2	SPCC t1.5	Powder coated	----
5	Side Panels	2	SPCC t1.0	Powder coated	----

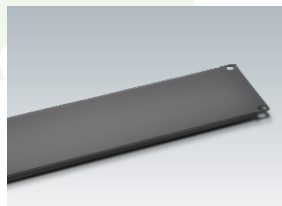
Specification

Model N o.	RU	Width (mm)	Depth(D)(mm)	Height(H)(mm)	Static Loading Capacity (kg)
NTSOHO6U500	6	600	450	370	40
NTSOHO9U500	9	600	450	500	45
NTSOHO12U500	12	600	450	635	50

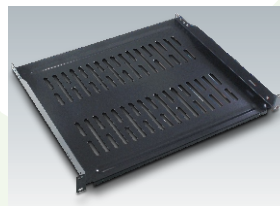
May Installs The Fitting



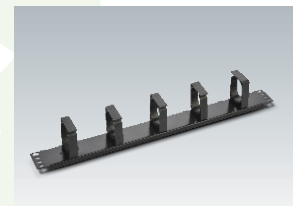
Cooling fan



Blank filler panel



Shelves



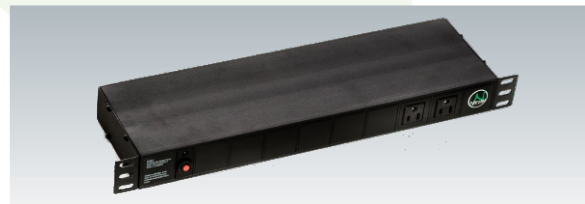
Cable management



M6 Screws & nuts



Grounding kit



PDUs