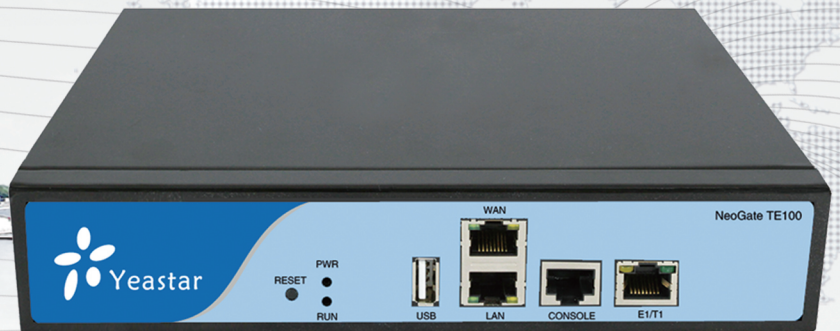


NeoGate TE100



NeoGate TE100 offers SMBs cost effective additions to legacy telephone systems to bring the true benefits of VoIP. TE100 is a single port VoIP E1/T1/J1 gateway (VoIP to E1/T1/J1, and E1/T1/J1 to VoIP) that supports up to 30 concurrent calls. It's designed to bridge the gap between E1/T1/J1 and VoIP networks. Integrating TE100 into an existing network will allow inexpensive communication via SIP trunking. Also, it could connect VoIP systems with E1/T1/J1 service from legacy carriers.

Specifications

- E1/T1/J1 port: 1 (Support PRI, MFC R2, SS7)
- Protocol: SIP(RFC3261)
- DTMF: RFC2833, SIP Info, In-band.
- Codec: G711a, G711u, G.722, G.726, G.729a, GSM.
- LAN: 10/100 Mbps
- WAN: 10/100 Mbps
- Size: 213x160x44mm
- Weight: 1.2kg
- Power: AC 100-240V, 50~60HZ

Features

- Trunk Support
- Call Routing Rules

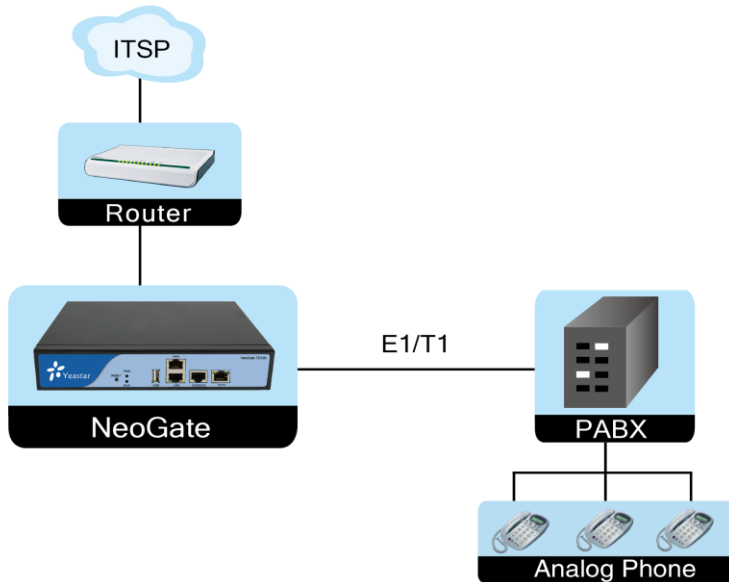
- Automatic appending and stripping of digits to dialed numbers
- Caller ID name and number support
- FAX support
- Blacklist
- Firewall
- DDNS Support
- Backup And Restore

Benefits

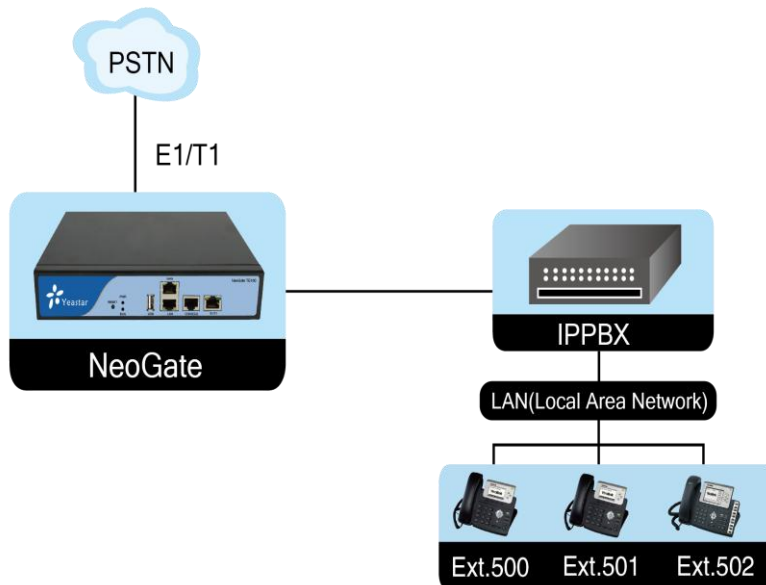
- Cost-effective Call Routing
- Easy-to-navigate GUI
- Simple Installation
- Easy to integrate
- Low power consumption for your green office

Applications:

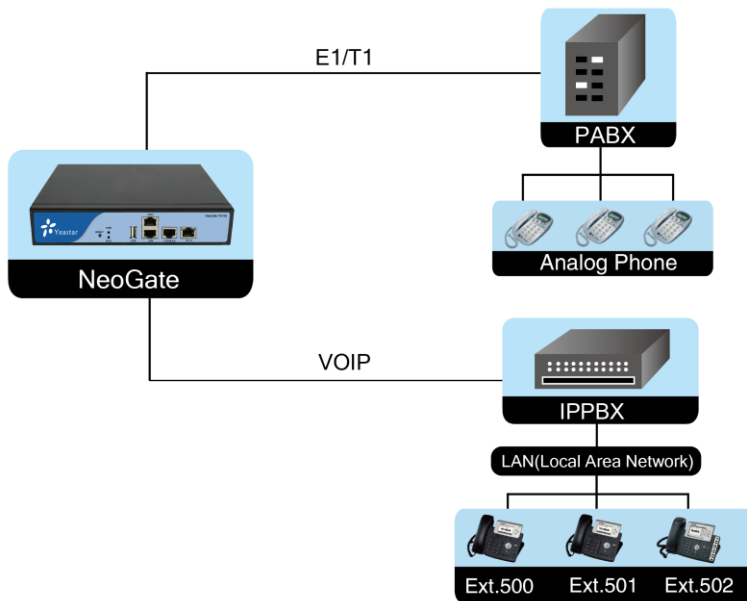
- Connect legacy PBX systems to VoIP service



- Connect IP PBX systems to legacy PSTN service



- Phased transition from legacy PBX to IP PBX



- Connect legacy PBX systems to remote sites over private VoIP links

