

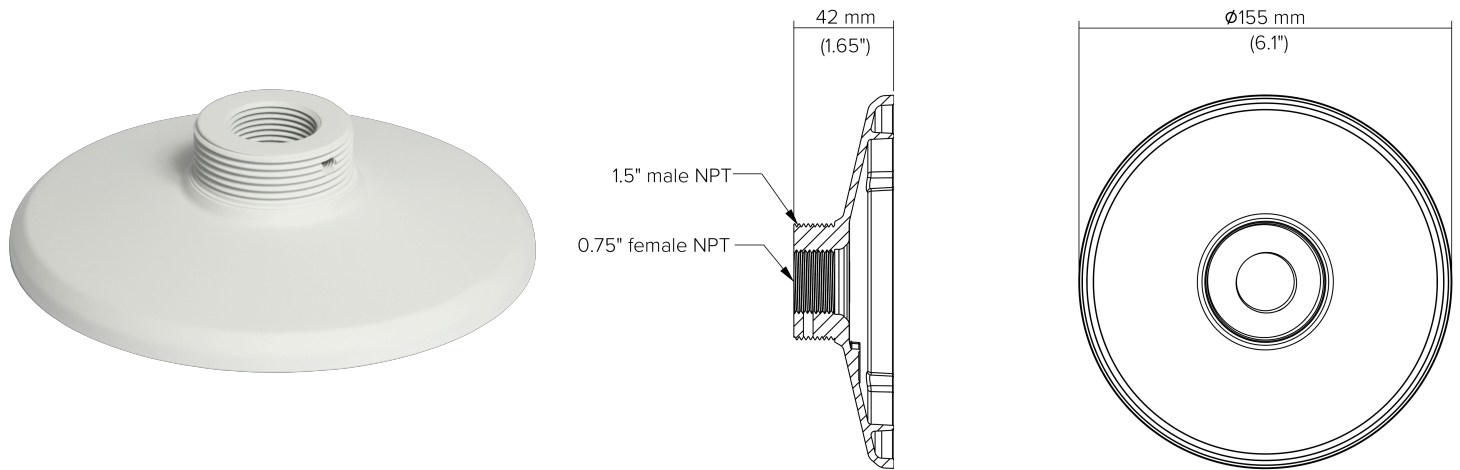


## ACC-MNT-1

# Pendant Cap Mounting Adapter Kit

Threaded cap features built-in  $\frac{3}{4}$ " female NPT and 1.5" male NPT threads. Attaches to rear of Verkada cameras.

**Compatible with: D30, D50, D80, and ACC-MNT-2.**



### Technical Specifications

|            |                        |                |                              |
|------------|------------------------|----------------|------------------------------|
| Model      | ACC-MNT-1              | Weight         | 320g (0.71 lbs)              |
| Material   | Aluminum Alloy         | Box Dimensions | 174x163x55 mm (6.9x6.4x2.2") |
| Dimensions | Ø155x42 mm (Ø6.1x1.7") | Box Weight     | 388g (0.86 lbs)              |
| Color      | White                  |                |                              |

